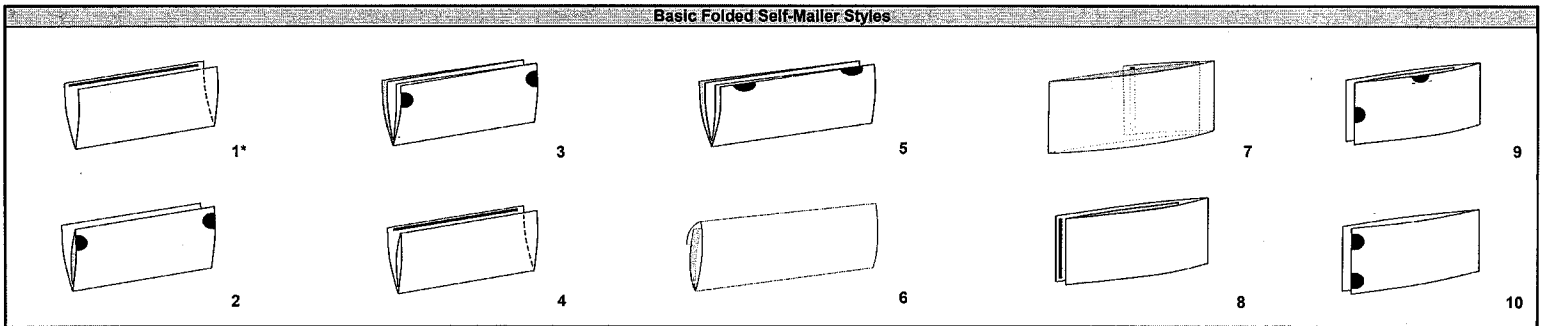
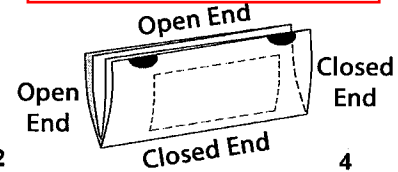
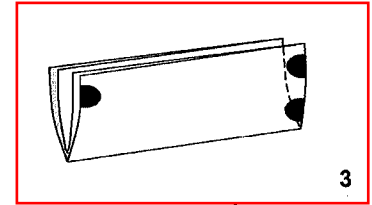
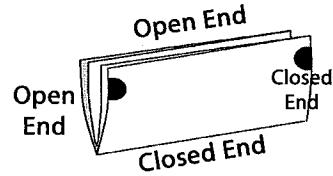
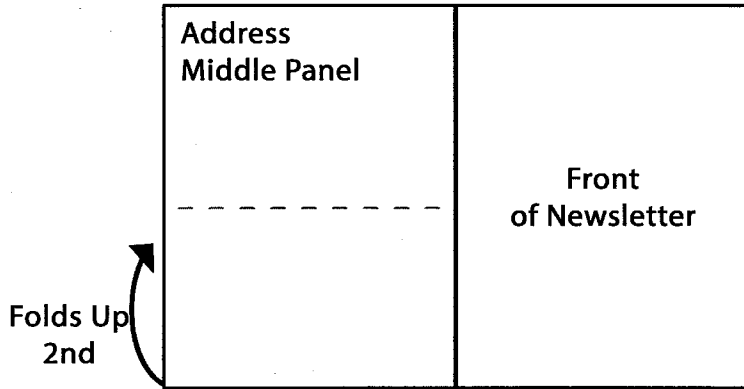
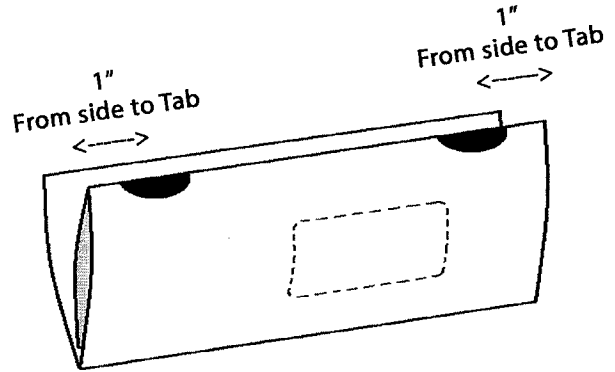
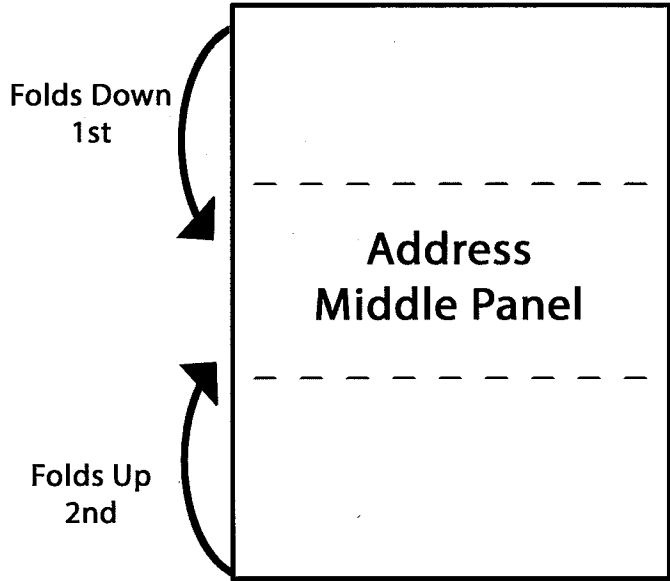
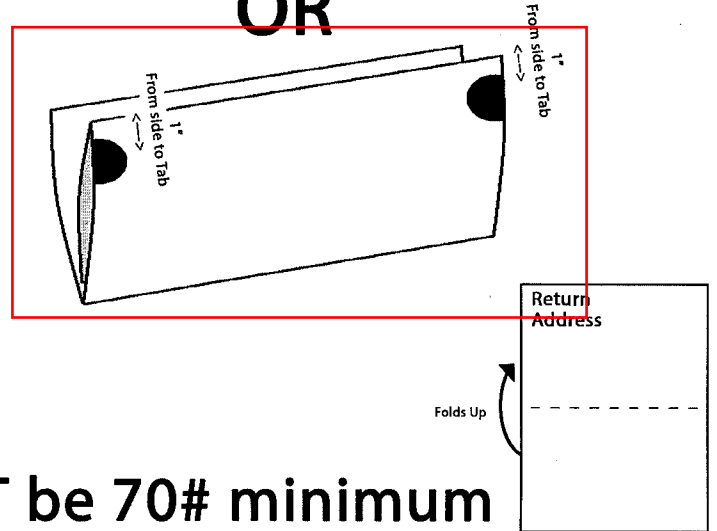


Quarter Fold Mailing





OR



If folded in half, paper **MUST** be 70# minimum